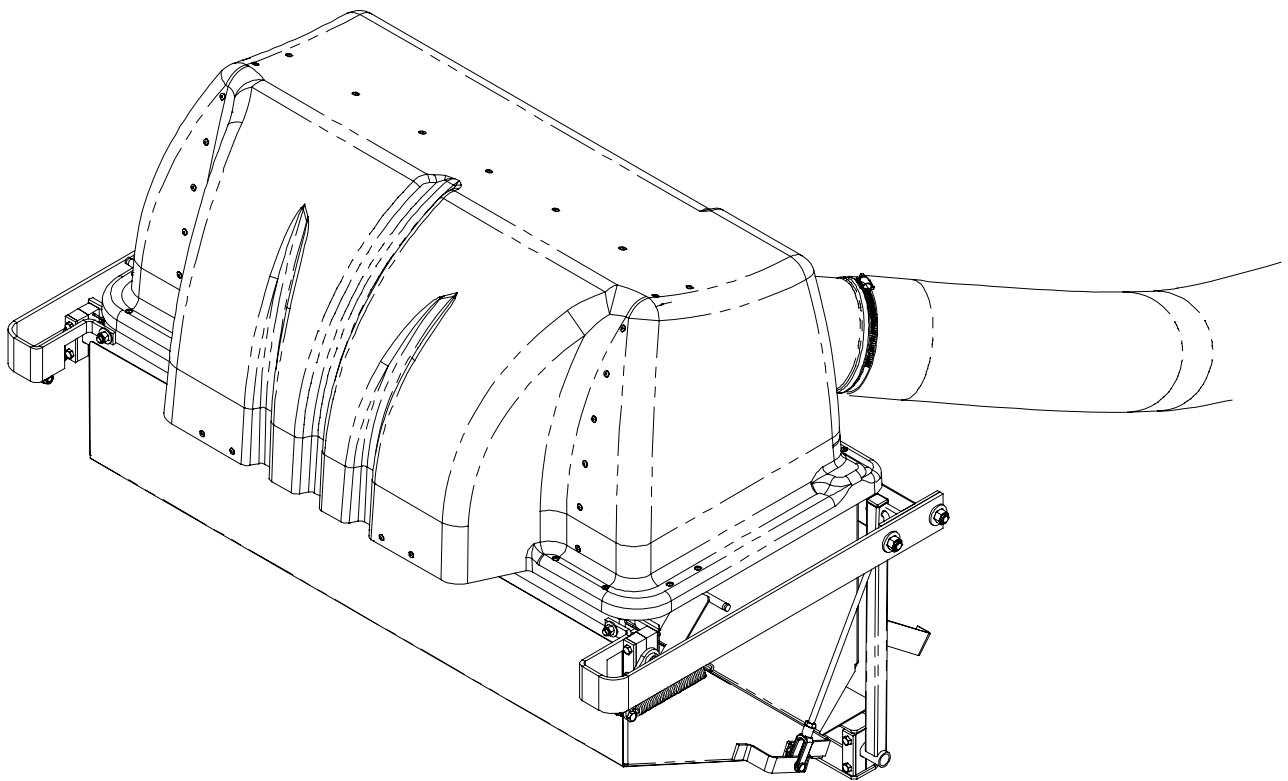


DIXON ZTR[®]

COLLECTION SYSTEM



Operator's Manual
Parts List
DCG DFS / 114883

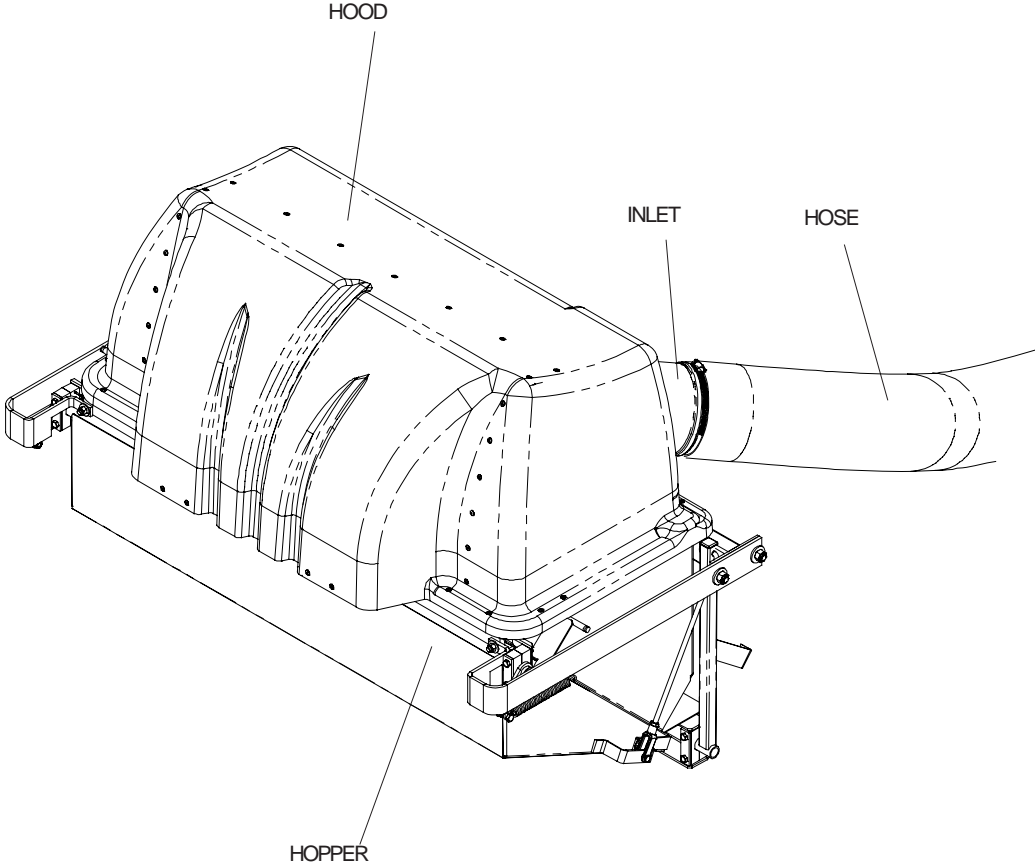
Please read the operator's manual carefully and make sure you understand the instructions before using the machine.

INDEX

Features And Controls	4
General Information	5
Safety Procedures	5
Training	5
Preparation	5
Operation	5
Maintenance And Storage	6
Assembly Instructions	6
Front Weight Bar	6
Collection System	7
Handle Assembly	8
Hopper Door Adjustment	9
Blower Kit	9
Operating The Collection System	9
Service And Maintenance	10
Transport	10
Cleaning And Washing	10
Preventative Maintenance Schedule	10
Storage	10
Caring For Hoses	11
Troubleshooting Guide	11
Cleaning Poly Mesh	11
Parts Lists	12
Hopper	12
Drive Kit	13
Hood Assembly	14

WARNING: Engine exhaust, some of its constituents, and certain vehicle components contain or emit chemicals known to the State of California to cause cancer and birth defects or other reproductive harm.

FEATURES



8059-017

GENERAL INFORMATION

General Information

This manual will assist you in the safe operation and proper maintenance of your Dixon equipment. Read it thoroughly before attempting to operate the machine. Call your dealer or Dixon if additional information is required.

The following safety symbols are used throughout the manual to alert you to information about unsafe actions or situations:



DANGER indicates immediate hazards that may result in severe injury or death.



WARNING indicates unsafe actions or



CAUTION indicates unsafe actions or situations that may cause injury and/or minor equipment or property damage.

This equipment should not be modified without the manufacturer's prior written authorization. Doing so may not only affect the equipments' performance and durability, but also create safety hazards for the operator and the surroundings. Warranty will be void if changes are made to the equipment without the manufacturer's prior written authorization.

Safety Procedures

1 - Training

- Read the Operator's Manual. If the operator(s) or mechanic(s) can not read English it is the owner's responsibility to explain this material to them.
- Become familiar with the safe operation of the equipment, operator's controls, and safety signs.
- All operators and mechanics should be trained. The owner is responsible for training the users.
- Never let children or untrained people operate or service the equipment. Local regulations may restrict the age of the operator.
- The owner/user can prevent and is responsible for accidents or injuries occurring to themselves, other people, and/or property.

2 - Preparation

- Wear appropriate clothing including hard hat, safety glasses and ear protection. Long hair, loose clothing or jewelry may get tangled in moving parts.

- Inspect the area where the equipment is to be used and remove all objects such as rocks, toys and wire which can be thrown by the machine.
- Use extra care when handling gasoline and other fuels. They are flammable and vapors are explosive. Use only an approved container. Never remove gas cap or add fuel with engine running. Allow engine to cool before refueling. Do not smoke while fueling or operating equipment. Never refuel or drain the machine indoors.
- Check that operator's controls, safety switches, hoses, and shields are securely attached and functioning properly. Do not operate unless they are functioning properly.

3 - Operation

- Never run an engine in an enclosed area.
- Only operate in good light, keeping away from holes and hidden hazards.
- Slow down and use extra care on hillsides. Make turns gradually and at slow speed. Do not operate across the sides of slopes. Operate up and down slopes only. Do not operate on steep slopes.
- Turf conditions can affect the machine's stability. Do not operate on wet grass where traction may be reduced.
- Do not change the engine governor setting or overspeed the engine.
- Stop equipment and inspect vacuum impeller and hoses after striking objects or if an abnormal vibration occurs. Make necessary repairs before resuming operations.
- Look behind and down before backing up to ensure a clear path.
- Slow down and use caution when making turns and crossing roads and sidewalks. Stop vacuum and mower blades if not mowing.
- Do not operate machine under the influence of alcohol or drugs.
- Use care when loading or unloading the machine into a trailer or truck.
- Use care when approaching blind corners, shrubs, trees, or other objects that may obscure vision.

SAFETY INFORMATION

4 - Maintenance and Storage

- Stop engine and disconnect spark plug wire. Wait for all movement to stop before adjusting, cleaning, or repairing.
- Clean grass and debris from muffler and engine to help prevent fires. Clean up oil or fuel spillage.
- Let engine cool before storing and do not store near sparks or open flame.
- Shut off fuel while storing. Do not store fuel near flames or drain indoors.
- Never allow untrained personnel to service machine.
- Keep hands and feet away from moving parts. If possible, do not make adjustments with the engine running.
- Keep all parts in good working condition and all hardware tightened. Replace all worn or damaged decals.

Assembly Instructions

Front Weight Bar

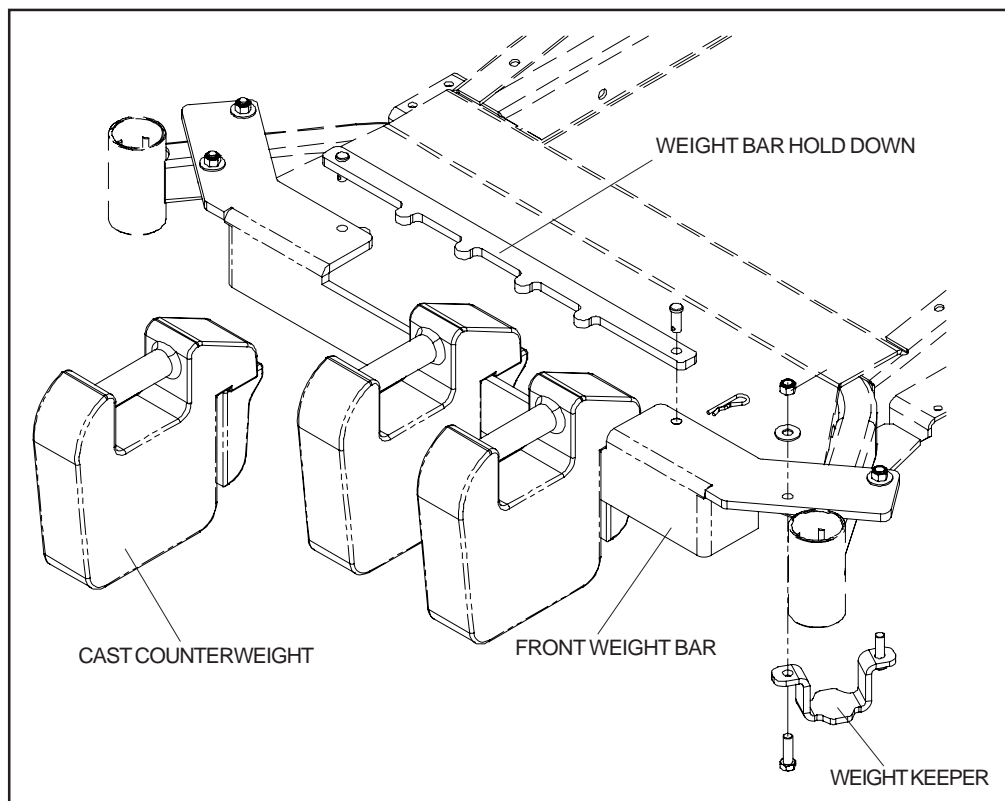
Tools Required

Ratchet with $\frac{3}{8}$ " Socket

$\frac{3}{8}$ " Wrench

Mounting Instructions

- Using the weight keepers, attach front weight bar to mower at the front caster arms.
- Secure front weight bar to mower frame with four $\frac{3}{8}$ " x $1\frac{1}{4}$ " hex bolts, four $\frac{3}{8}$ " flat washers, and four $\frac{3}{8}$ " nyloc nuts.
- Place all front weights on front weight bar.
- Place hold-down bar over front weights and secure to front weight bar using two $\frac{3}{8}$ " x 1" clevis pins and two hair pins.



8059-011

ASSEMBLY

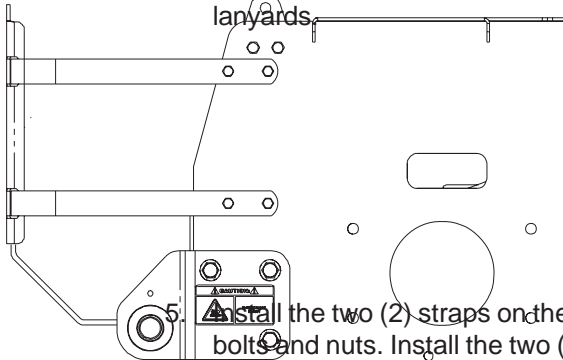
Collection System

Tools Required

Ratchet	3/4" Socket
Torque Wrench	Flat Screw Driver
1/2" Wrench	5/32" Allen Wrench
1/2" Socket	Hacksaw
9/16" Wrench	11/32" Drill Bit
9/16" Socket	Drill
5/8" Socket	

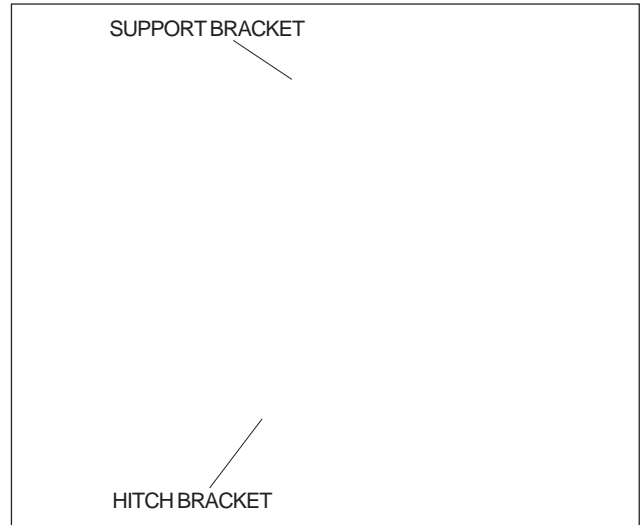
1. Open the mounting kit box and remove all of the components.
2. Place the support bracket on the frame and secure with (2) 539 990563, 3/8 x 1 bolts and (2) 539 976979, 3/8 nyloc nuts.
3. Place the hitch brackets on the frame and secure with (3) 990622, 1/2 x 1 1/4 bolts and (3) 539 101331, 1/2 nyloc nuts.

4. Place the hitch assembly on the ground behind the mower. Place the (2) hitch pins thru the hitch and the hitch brackets. Secure the hitch pins with the (2) hairpins that are secured with the (2) lanyards.

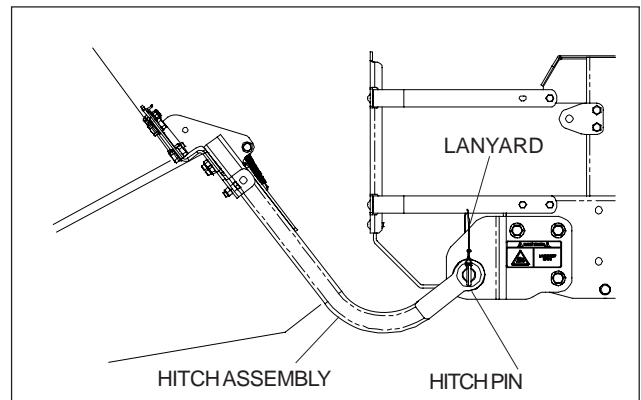


5. Install the two (2) straps on the hopper with 1/2" bolts and nuts. Install the two (2) support brackets on the frame.

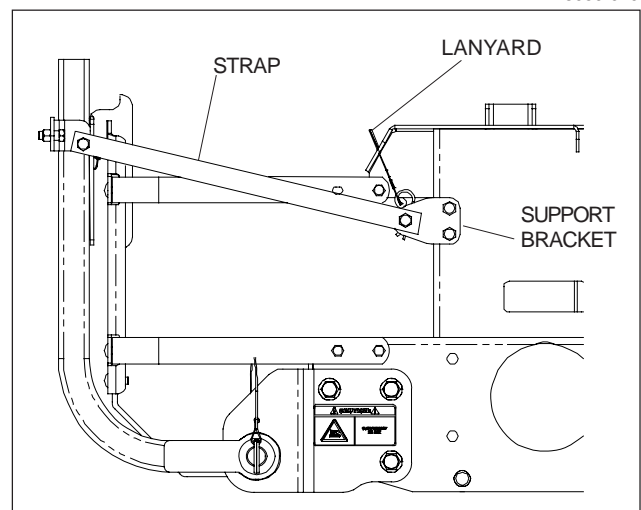
6. Attach hose support rod to the right side of the unit to keep the right rear tire from rubbing the hose.



8059-009



8059-010

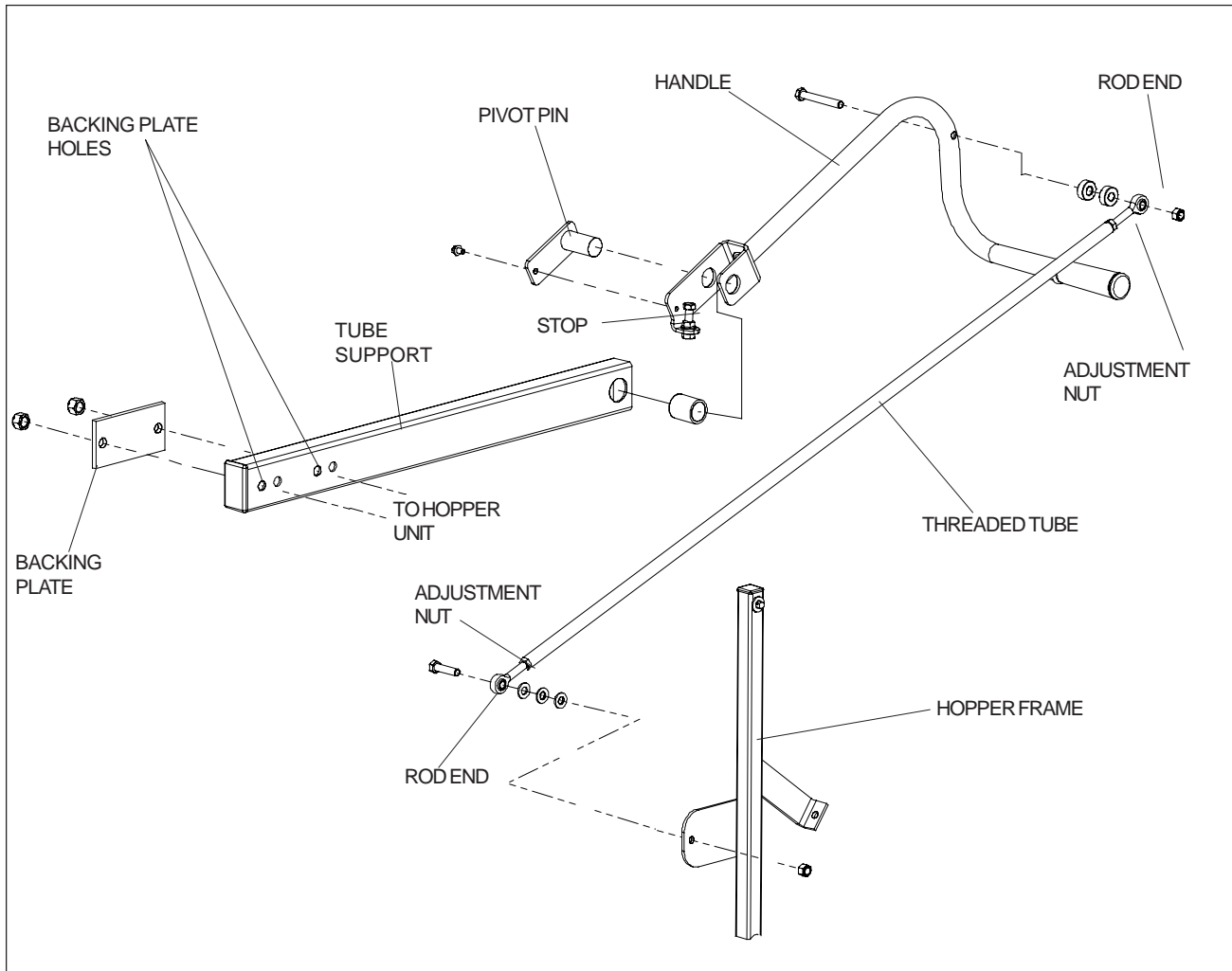


8059-011a

ASSEMBLY

Handle Assembly

1. Attach backing plate and tube support to hopper using holes shown in illustration.
2. Connect handle to tube support using pivot pin.
3. Attach threaded rod to hopper and handle. When connected, adjust threaded tube using adjusting nuts at both ends. The adjustment will be complete when handle is pulled forward and hopper door is fully closed.
4. Adjust handle stop so it goes over the center.

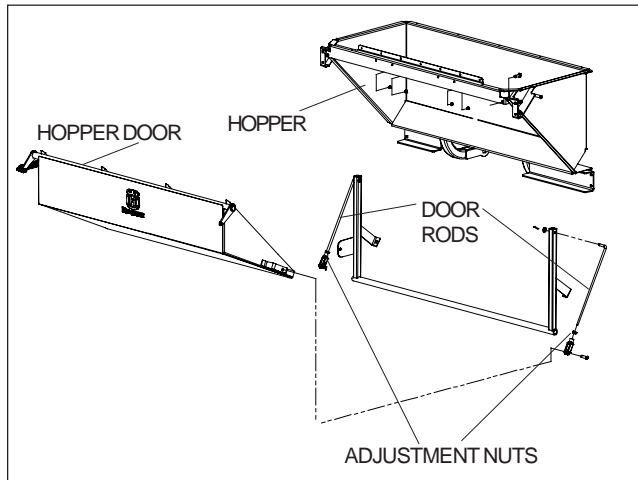


8059-008

ASSEMBLY

Hopper Door Adjustment

Adjust door rods on both sides with adjusting nut so door closes evenly. See illustration.



8059-013

Blower Kit


Install Blower Kit per the instructions shipped with the blower unit. (114992 for the 52" or 130195 for the 60".)

Operating the Collection System

1. NEVER USE THE COLLECTION SYSTEM WITHOUT THE BLOWER ASSEMBLY AND HOSES SECURELY ATTACHED.
2. Make sure hoses are connected at both ends. Inspect hoses prior to each use.
3. Do not use the unit on slopes greater than 10 degrees.
4. The mower must be running in order to vacuum debris through the mower deck.
5. In heavy grass it may be necessary to mow and collect at a slower ground speed.
6. Never attempt to unclog the collection system until the mower's engine has been shut off and all moving parts have come to a complete stop.
7. Do not stand behind the vent at the rear of the collection system due to the potential for small pieces of blowing debris to escape through the vent.
8. Wear eye and ear protection.

SERVICE AND MAINTENANCE

Transport



WARNING

The collection system hopper must be completely empty while driving forward onto a trailer. If the mower must be loaded onto a trailer while there is still debris in the container, the mower must be backed up onto the trailer to avoid tipping.

Storage

1. Clean machine.
2. Cover all scratches with touch-up paint.
3. Covered or indoor storage is recommended.

Cleaning and Washing

Regular cleaning, washing, and lubricating will prolong the service of the machine.

NOTE: Use care with power washers to avoid damage to decals. Limit direct spray on these items.

DO NOT EXCEED 1000 PSI WATER PRESSURE FOR CLEANING.

For best results, clean polymesh inside hood regularly. Instructions for doing this can be found in the Service section of this manual

Preventative Maintenance Schedule

Item	Before Each Use	Every 5 Hours	Every 25 Hours	Every 50 Hours
Inspect/Clean Poly Mesh	X	X		
Check/Tighten Nuts & Bolts	X			
Check/Tighten Hoses	X			
Turn Hose End to End			X	
Rotate Hose				X
Clean Machine				X

SERVICE AND MAINTENANCE

Caring For Hoses

1. Inspect hoses before each use. If hoses have excessive wear, tears, or punctures, replace immediately.
2. To prolong the life of the hose, periodically rotate hose and turn hose end to end. Refer to Preventative Maintenance Schedule in this manual.
3. Avoid twists and sharp turns in the hoses, as they will increase wear on the hoses.
4. Avoid dragging the lower hose along the sides of buildings or other hard surfaces.

Cleaning Poly Mesh

The poly mesh on the collection system is located inside the container hood. For best results, clean poly mesh regularly.

DO NOT USE THE COLLECTION SYSTEM WITHOUT POLY MESH SECURELY IN PLACE.

Troubleshooting Guide

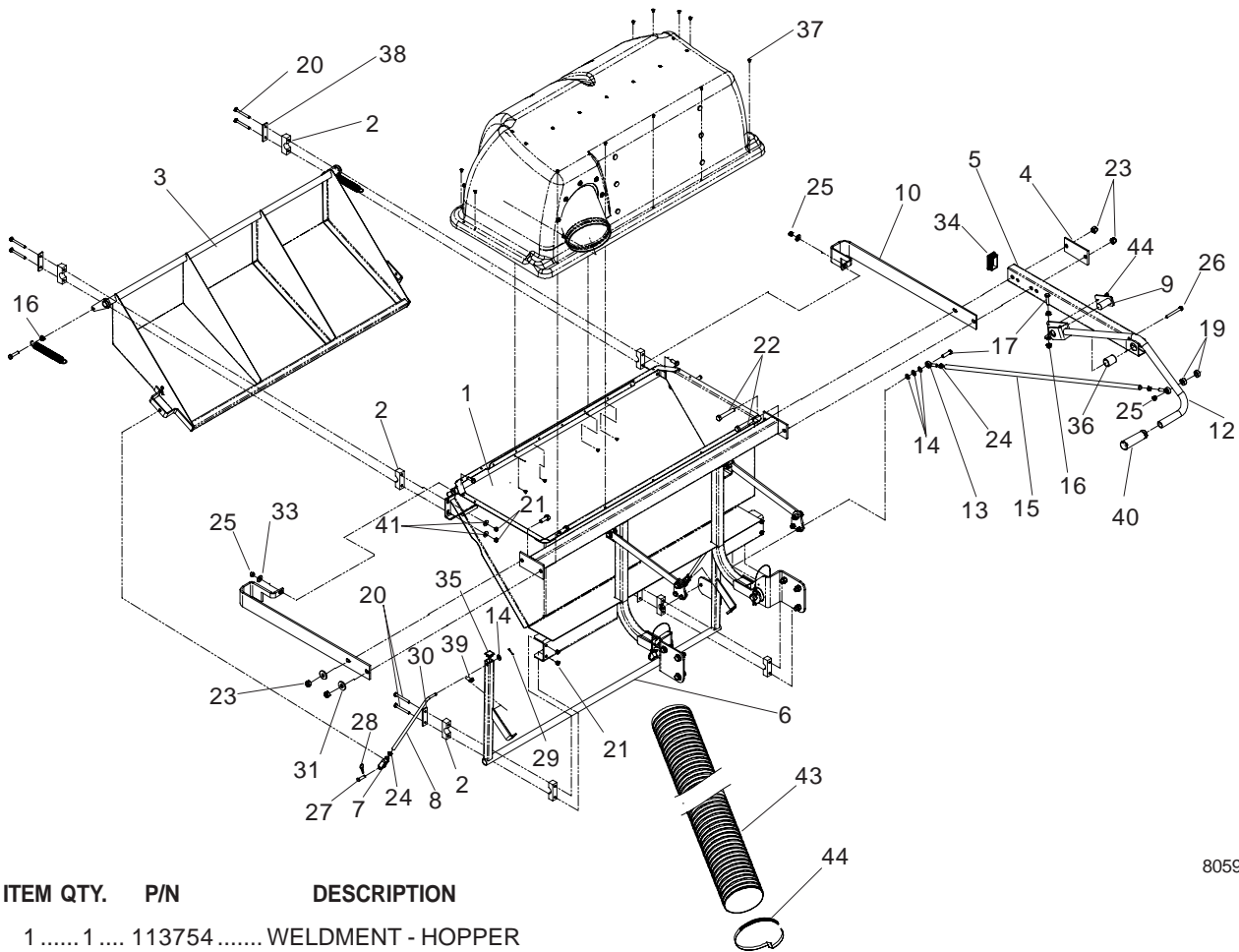


DANGER

Before servicing unit, wait for all moving parts to come to a complete stop. Turn engine off and remove the spark plug wire.

PROBLEM	POSSIBLE CAUSE	CORRECTION
Loss of Vacuum.	Blower, hose or hood inlet clogged. Hopper full. Fan blades bent or broken. Poly mesh plugged.	Remove hose and clean inlet. Inspect and empty. Replace/repair impeller. Clean poly mesh.
Unusual vibration or noise	Solid object jammed in unit. Loose or missing bolts on unit. Bent or damaged fan.	Check and remove any obstruction. Tighten or replace bolts. Replace/repair impeller.
Unit difficult to close.	Obstructions keeping door from completely closing. Hood hinge bolts too tight.	Clear obstructions. Loosen bolts.

HOPPER ASSEMBLY

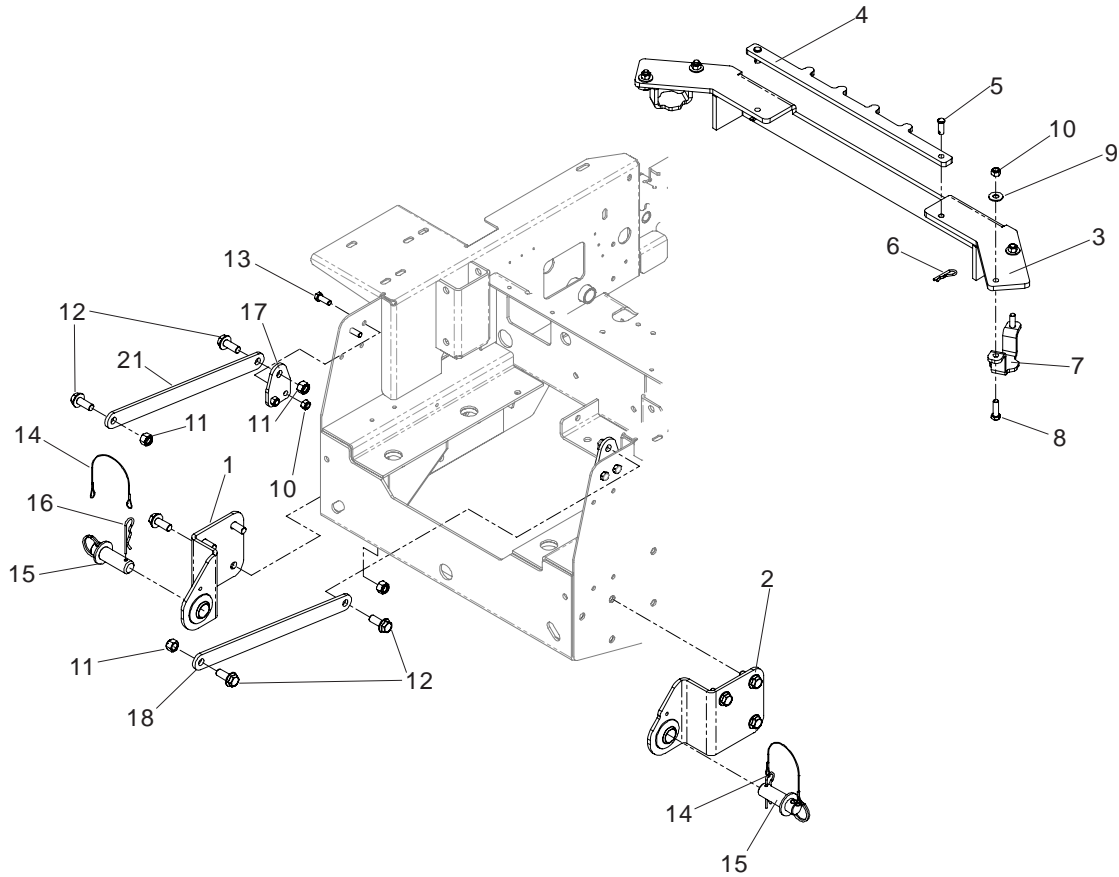


ITEM	QTY.	P/N	DESCRIPTION
1 1	113754 WELDMENT - HOPPER
2 8	104808 PILLOW BLOCK
3 1	113747 WELDMENT - DOOR
4 1	113755 PLATE - BACKING
5 1	113748 TUBE - SUPPORT, HANDLE
6 1	113746 WELDMENT - BELL CRANK
7 2	977465 YOKE, 3/8 F
8 2	113722 ROD - DOOR
9 1	113749 WELDMENT - PIN, PIVOT
10 1	113750 GUARD - L.H.
11 1	113751 GUARD - R.H.
12 1	113790 HANDLE WELDMENT
13 2	113739 ROD END - 3/8 - 24 RH
14 5	990122 WASHER, 3/8 SAE FLT ZD
15 1	113753 TUBE - THREADED
16 6	990613 NUT 3/8-16 HEX WHIZLK ZD
17 4	990655 HCS 3/8-16 x 1 1/2 GR 5 ZD
18 2	107315 SPRING, BAGGER
19 2	102656 SPACER
20 8	101721 HCS 5/16-18 x 2 3/4 GR 5 ZD
21 8	990717 NUT 5/16-18 HEX NYLOK ZD
22 2	101572 HCS 1/2-13 x 3 GR 5 ZD
23 4	101331 NUT 1/2 HEX NYLOK ZD
24 4	108732 NUT, 3/8-24 HEX JAM ZD
25 4	976979 NUT 3/8-16 HEX NYLOK ZD

ITEM	QTY.	P/N	DESCRIPTION
26 1	101341 HCS 3/8-16 x 3 GD 5 ZD
27 2	109232 PIN CLEVIS 3/8 x 1 1/4 ZD
28 2	976988 HAIRPIN COTTER
29 2	990365 PIN, COTTER 1/8 x 3/4 ZD
30 2	108369 HCS 1/2-13 x 1 1/4 GR5 ZD
31 2	109554 WASHER 1/2 FLAT ZD
32 2	990563 HCS 3/8-16 x 1 GR 5 ZD
33 2	990517 WASHER, 3/8 FLAT STD ZD
34 1	113757 PLUG - RECTANGULAR TUBING
35 2	113758 PLUG - SQUARE TUBE
36 1	113731 BUSHING - BRONZE, 1"
37	... 17	200684 RIVET, 3/16 STAVEX
38 4	104807 REINFORCEMENT BAR
39 2	102587 GROMMET, BUMPER
40 1	0033C GRIP, HANDLE
41 4	990692 WASHER, 5/16 STD FLT ZD
42 1	976978 NUT 1/4-20 HEX NYLOK ZD
43 1	115392 FLEX HOSE - 60"
44 1	115719 HOSE CLAMP
 1	111260 DECAL, VENTILATION

8059-014

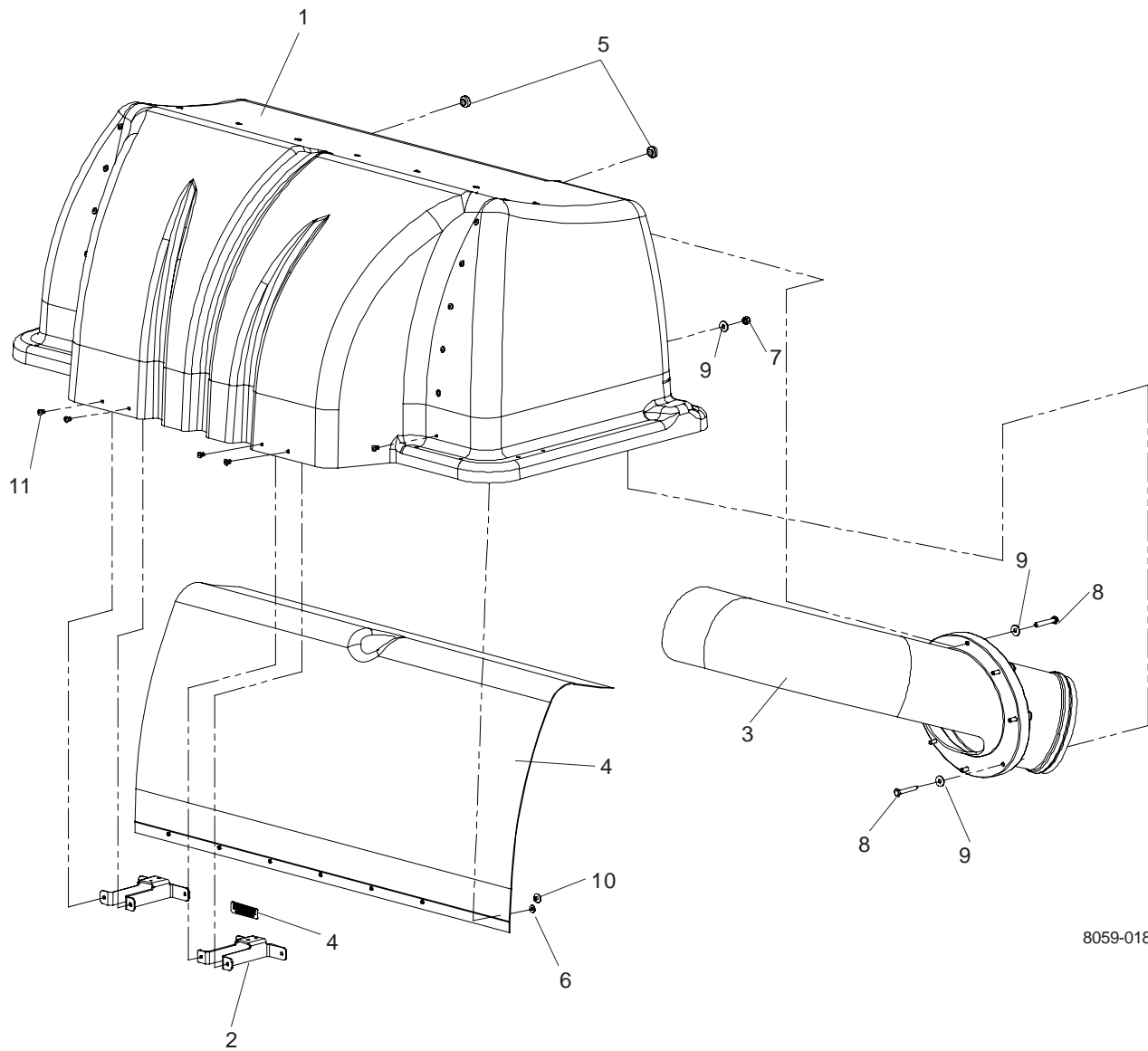
DRIVE KIT ASSEMBLY



8059-015

ITEM QTY.	P/N	DESCRIPTION	ITEM QTY.	P/N	DESCRIPTION
1 1 ...	111199 HITCH BRKT WELDMENT, LT	10 8 ...	976979 NUT $\frac{3}{8}$ -16 HEX NYLOK ZD
2 1 ...	111201 HITCH BRKT WELDMENT, RT	11 .. 10 ...	101331 NUT $\frac{1}{2}$ HEX NYLOK ZD
3 1 ...	20255 FRONT WEIGHT BAR	12 .. 10 ...	990622 BOLT $\frac{1}{2}$ -13 X $1\frac{1}{4}$ WHIZLK ZD SP
4 1 ...	111313 HOLD DOWN, WEIGHT BAR	13 4 ...	990563 HCS $\frac{3}{8}$ -16 X 1 GR 5 ZD
5 2 ...	102049 CLEVIS PIN	14 2 ...	102563 LANYARD
6 2 ...	108096 SPRING RETAINER	15 2 ...	111206 HITCH PIN
7 2 ...	111259 WEIGHT KEEPER	16 2 ...	111192 HAIRPIN
8 4 ...	976941 HCS $\frac{3}{8}$ -16 X $1\frac{1}{4}$ GR 5 ZD	17 2 ...	111215 SUPPORT BRACKET
9 4 ...	990517 WASHER, $\frac{3}{8}$ FLAT STD. ZD	18 2 ...	114674 STRAP

HOOD ASSEMBLY



8059-018

ITEM	P/N	QTY.	DESCRIPTION
1	539 111172 1	..HOOD
2	539 111175 2	..SUPPORT, DRAW LATCH
3	539 111182 1	..INLET TUBE
4	539 111183 1	..MESH, POLY DIAMOND
5	539 102587 6	..GROMMET, BUMPER
6	539 105408	.. 21	..WASHER, #10

ITEM	P/N	QTY.	DESCRIPTION
7	539 976978 8	..NUT, 1/4-20, NYLOK
8	539 991003 8	..HCS, 1/4-20 x 1 3/4, GR5
9	539 990598	.. 16	..WASHER, 1/4
10	539 102744 7	..RIVET, 3/16 X 1/4
11	539 200684	.. 25	..RIVET, 3/16, STAVEX

DIXON ZTR®